



Our RTU – 7th Axis system can be engineered to any length that the customer requires. Our design that incorporates machined keyed ends allows for sections to be added or removed easily for re-purposing. Each unit to be equipped with adapters to fit your specific robot or servo motor requirements. Our RTU – 7th axis systems are well suited for material handling, welding and paint applications.

Features

# Robot Transfer Unit

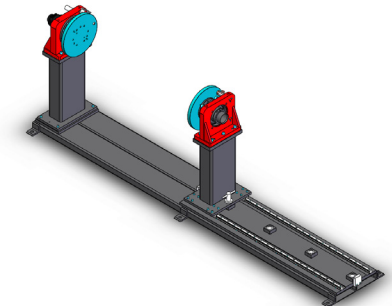
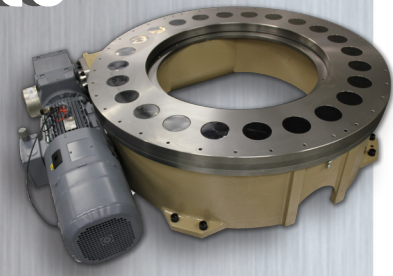


info@mid.us.com  
p. 248.743.9999 • f. 248.743.0749  
1204 E. Maple • Troy, MI 48083  
www.mid.us.com

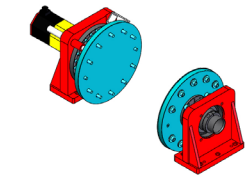


Our LazerArc line offers a variety of positioning systems and custom applications. Each of these systems are capable of fitting into your automated robotic systems, whether it is a material handling job, paint or welding application. All of our units can be adapted to your specific robot brand.

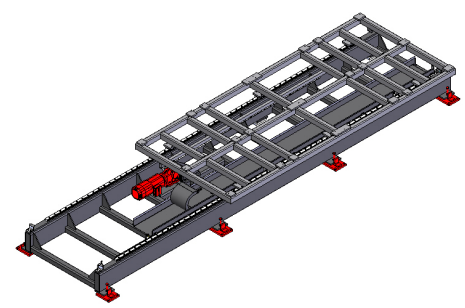
# Single Axis



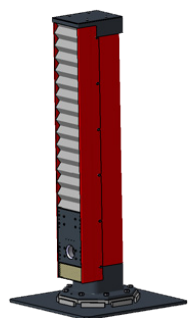
Single Axis Adjustable Head and Tail Stock



Head Stock and Tailstock

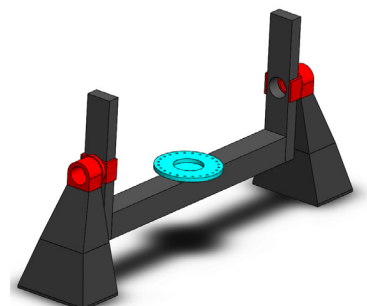


Single Axis ILM Tool Transfer Units



Single Axis Precision Lift Units

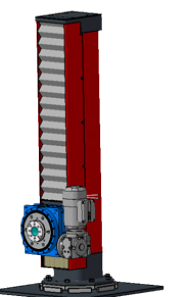
# 2 Axis



Drop Center VH Positioning

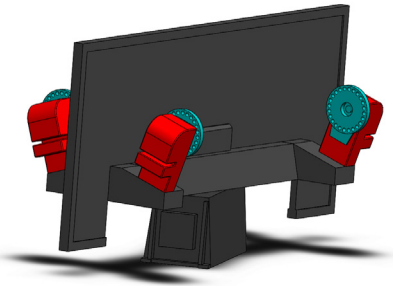
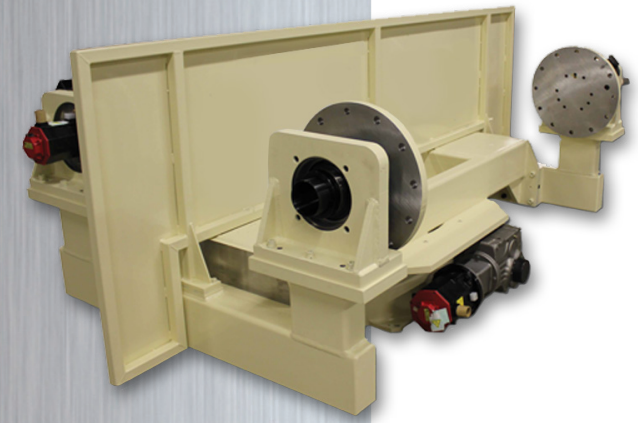


Sky Hook

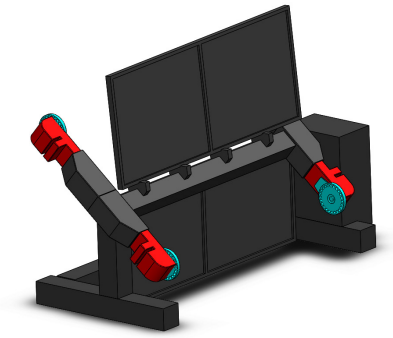


Vertical & Horizontal

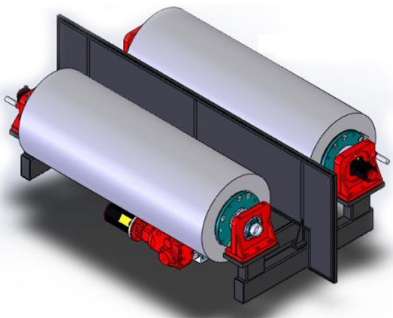
# 3 Axis



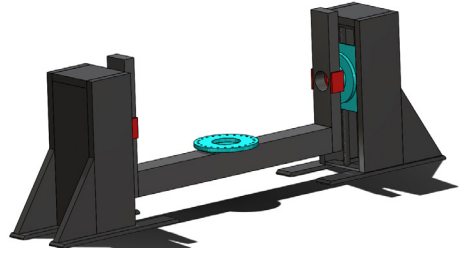
Triple-Dex Satellite – Trunnions



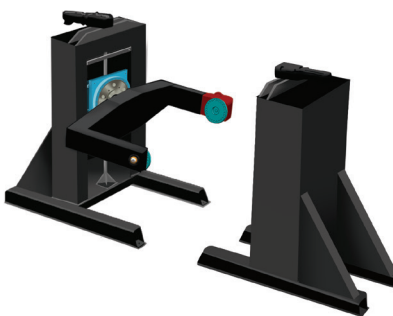
Ferris Wheel



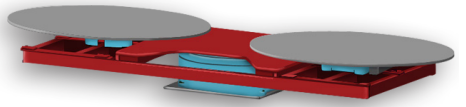
DR-TR



Trunnion Lift and Rotate



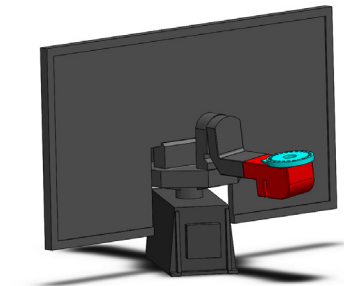
Sky Hooks



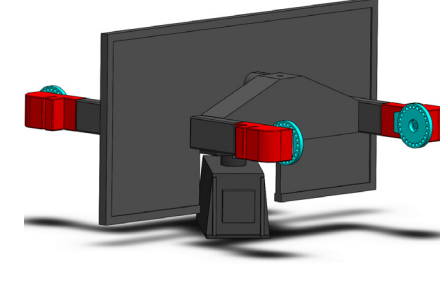
Triple-Dex Satellite – Rotary

# 4 & 5 Axis

# Custom Solutions



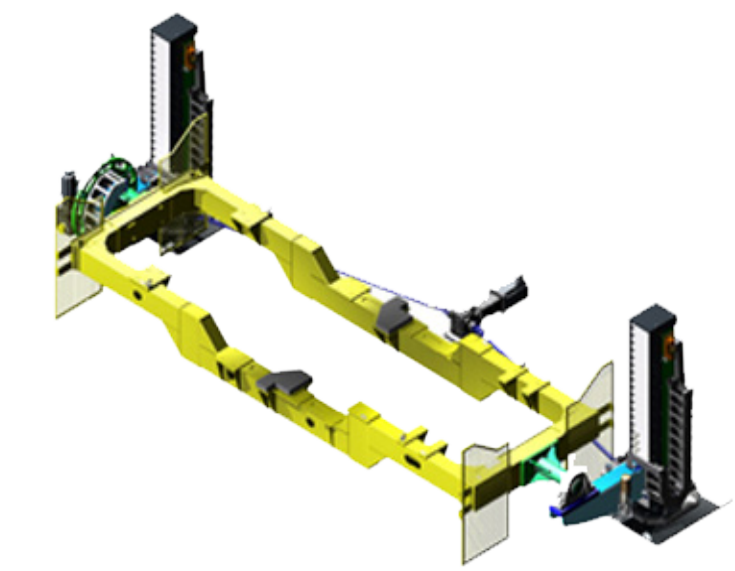
5 - Axis Positioner



L-Sky Hook

In addition to our standard product offerings, we specialize in providing custom engineered precision indexing solutions to fit your specific application needs.

Our custom engineered solutions range from small highly precision rotary indexing machines to large fabricated lift and roll over devices that are utilized for aerospace and automotive in heavy industrial applications.



Custom Lift and Rollover