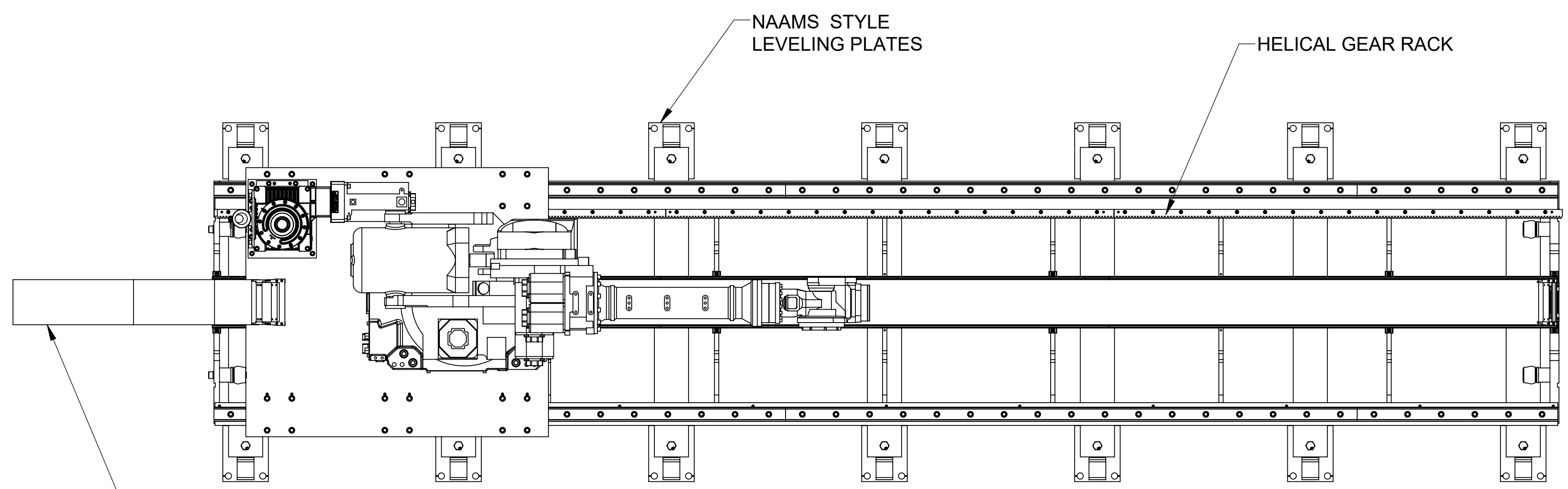
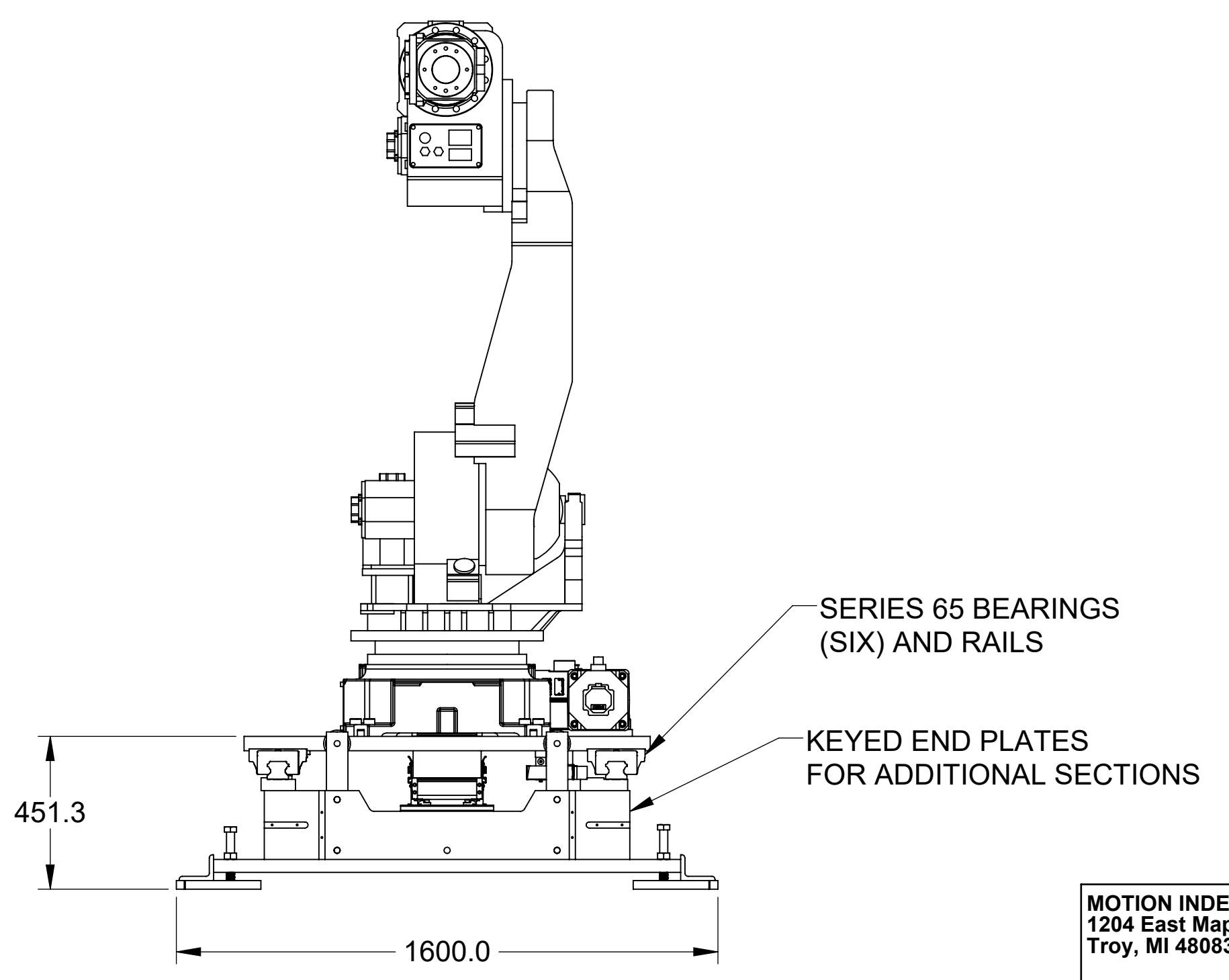
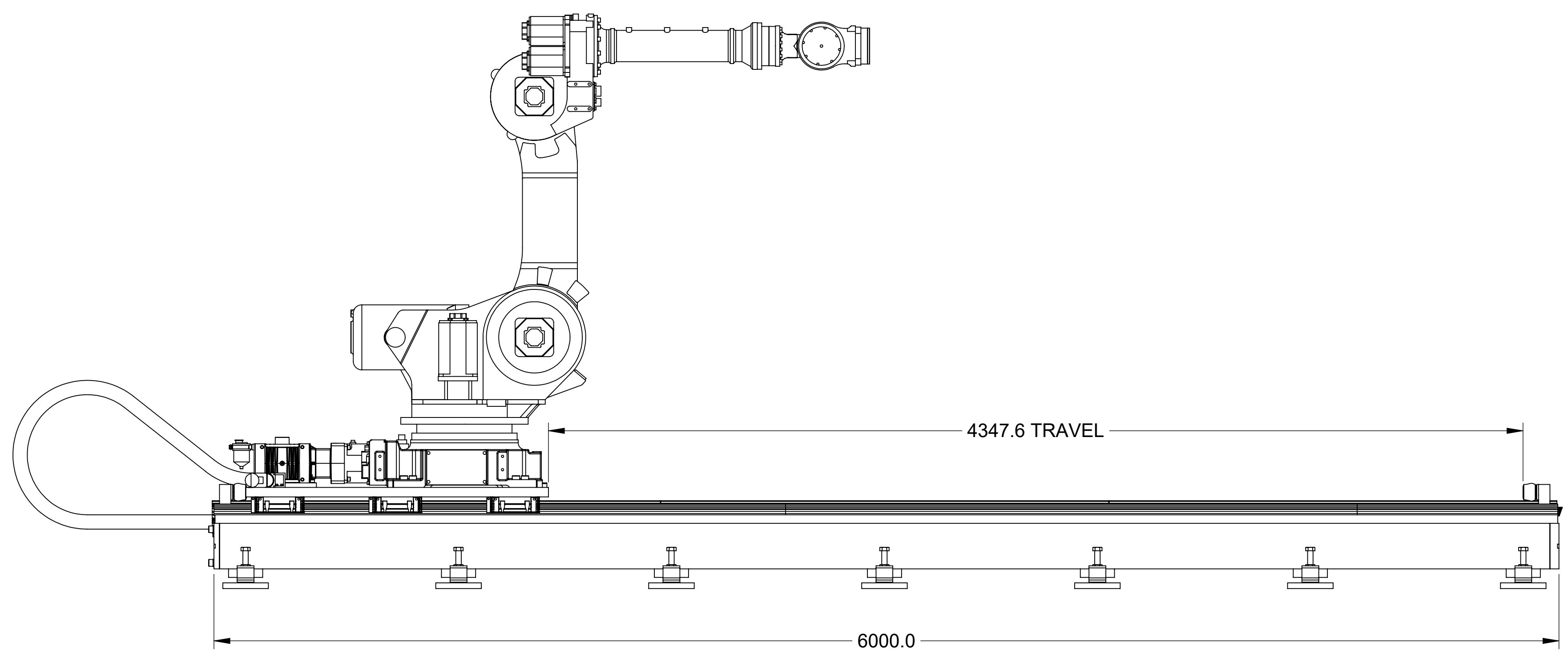
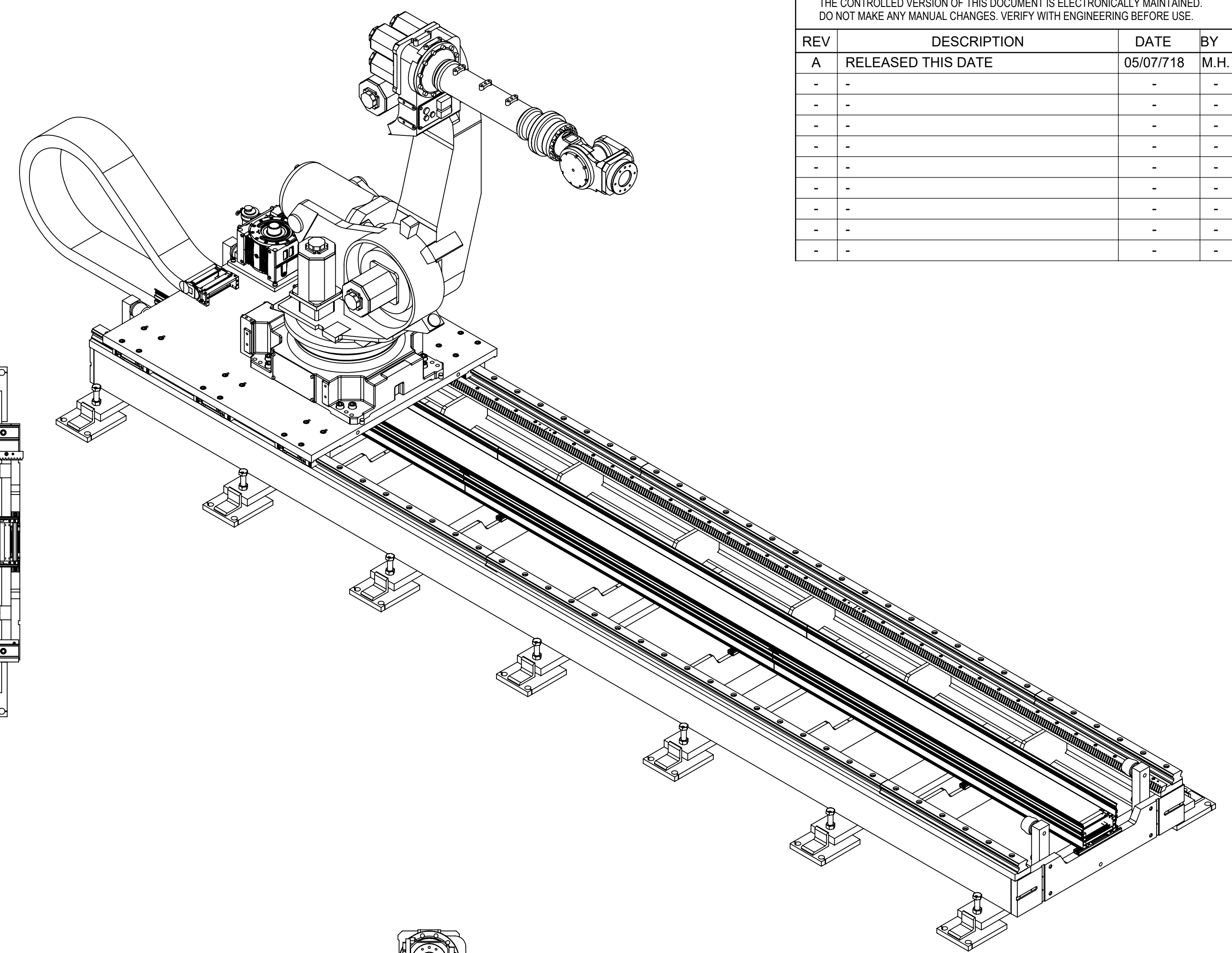


THE CONTROLLED VERSION OF THIS DOCUMENT IS ELECTRONICALLY MAINTAINED. DO NOT MAKE ANY MANUAL CHANGES. VERIFY WITH ENGINEERING BEFORE USE.

REV	DESCRIPTION	DATE	BY
A	RELEASED THIS DATE	05/07/18	M.H.
-	-	-	-
-	-	-	-
-	-	-	-
-	-	-	-
-	-	-	-
-	-	-	-
-	-	-	-
-	-	-	-



INTEGRATED CABLE CARRIER CENTER MOUNTED



**METRIC**  
UNLESS OTHERWISE SPECIFIED

DO NOT SCALE DRAWING  
ALL DIMENSIONS ARE IN MILLIMETERS  
ALL STOCK AND FABRICATION DIMENSIONS ± 0.5  
ALL OTHER ONE PLACE DECIMAL DIMENSIONS ± 0.2  
ALL TWO PLACE DECIMAL DIMENSIONS ± 0.10  
ALL THREE PLACE DECIMAL DIMENSIONS ± 0.013  
ALL MACHINED ANGLES ± 0°-15'  
ALL DOWELS ± 0.025  
DOWEL FIT TOLERANCES H7 & P7  
REMOVE ALL BURRS AND SHARP CORNERS  
DO NOT USE REF. DIMENSIONS FOR MANUFACTURING  
DIMENSIONS IN [XX] ARE IN INCHES  
3/2, 1/25, 1 OR BETTER ON ALL MACHINED SURFACES

**CONFIDENTIALITY NOTICE**

THIS DRAWING AND MATERIAL INVOLVES A CONFIDENTIAL PROPRIETARY DESIGN ORIGINATED AND OWNED BY MOTION INDEX DRIVES AND IS SUBMITTED IN CONFIDENCE. ALL PATENTS, MANUFACTURING, USE AND SALE RIGHTS REGARDING THIS DOCUMENT ARE RESERVED EXCEPT THOSE SPECIFICALLY GRANTED IN WRITING TO OTHERS. BY ACCEPTING THIS DRAWING THE RECIPIENT AGREES NOT TO DISCLOSE, REPRODUCE OR SUPPLY ANY INFORMATION TO ANY UNDISCLOSED PERSON.

MOTION INDEX DRIVES, INC.  
1204 East Maple  
Troy, MI 48063  
www.mid.us.com

TITLE: <b>6M STANDARD RTU SECTION</b>			
DRAWN: LM	DATE: 05/18	SCALE: 1:15	REV: -
CHECKED: LM	DATE: 05/18	SHEET SIZE: D	
DRAWING NO: <b>33-10216</b>	SHEET NO: <b>1</b>	TOTAL SHEETS: <b>1</b>	